



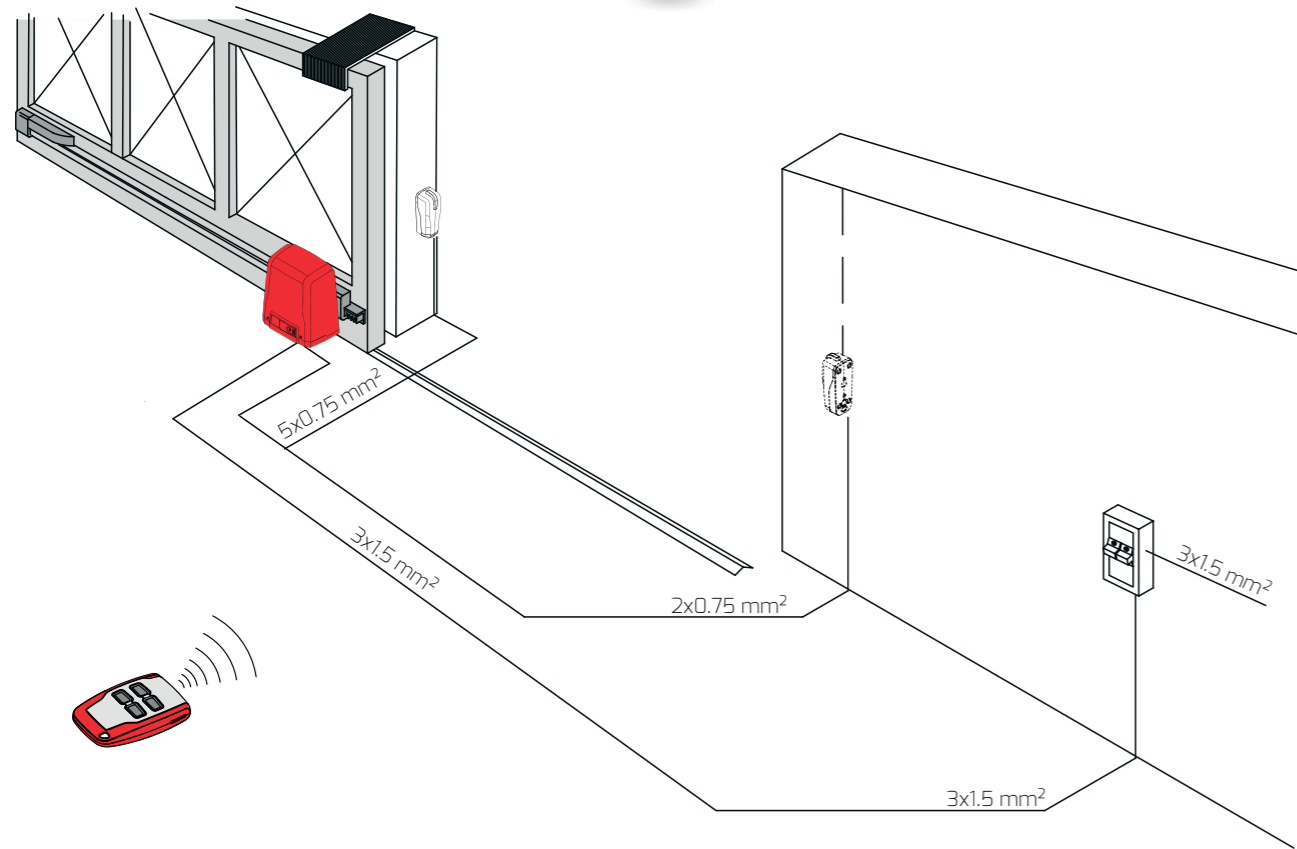
DEIMOS ULTRA BT

FW ≥ v2.11

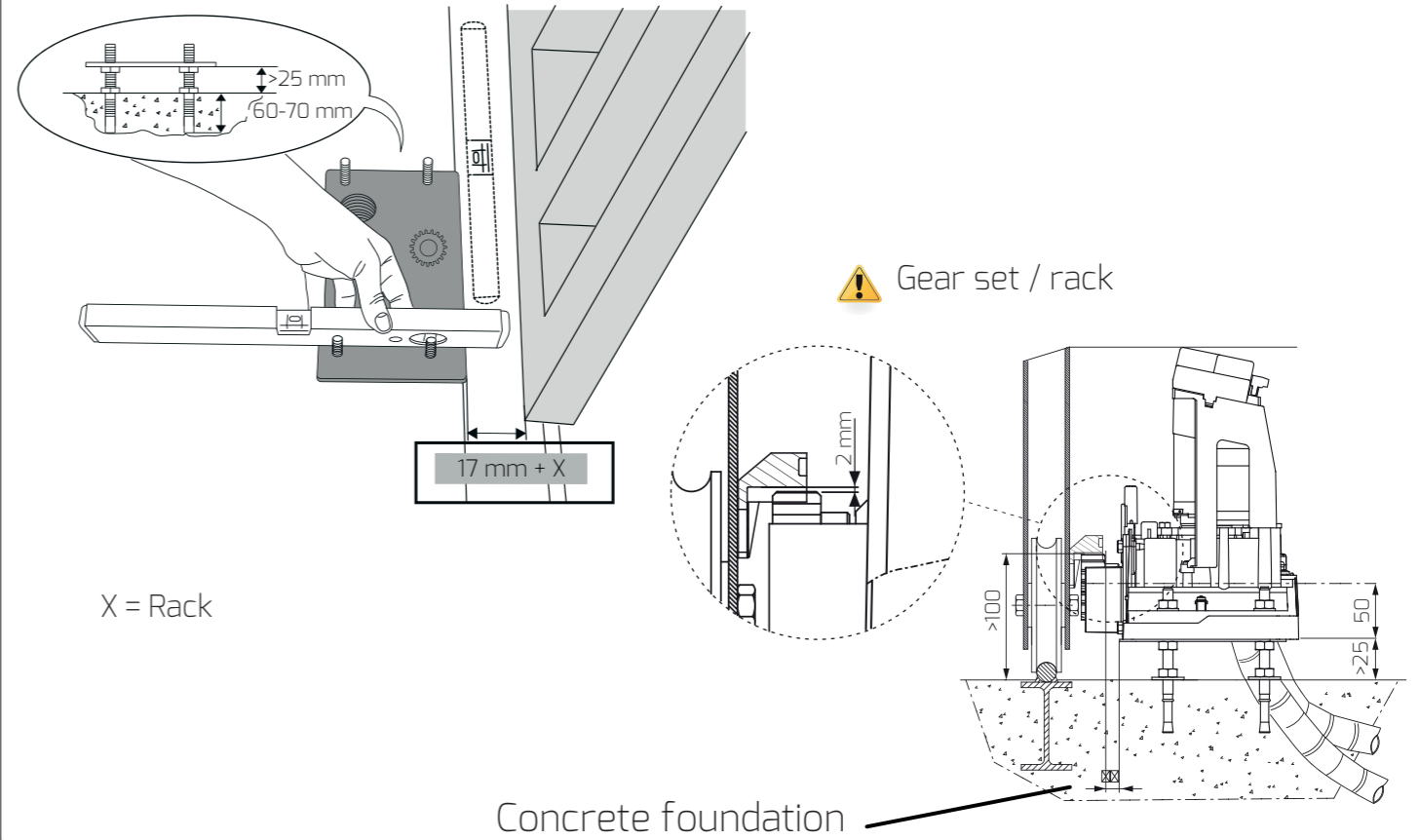
1 Cable run



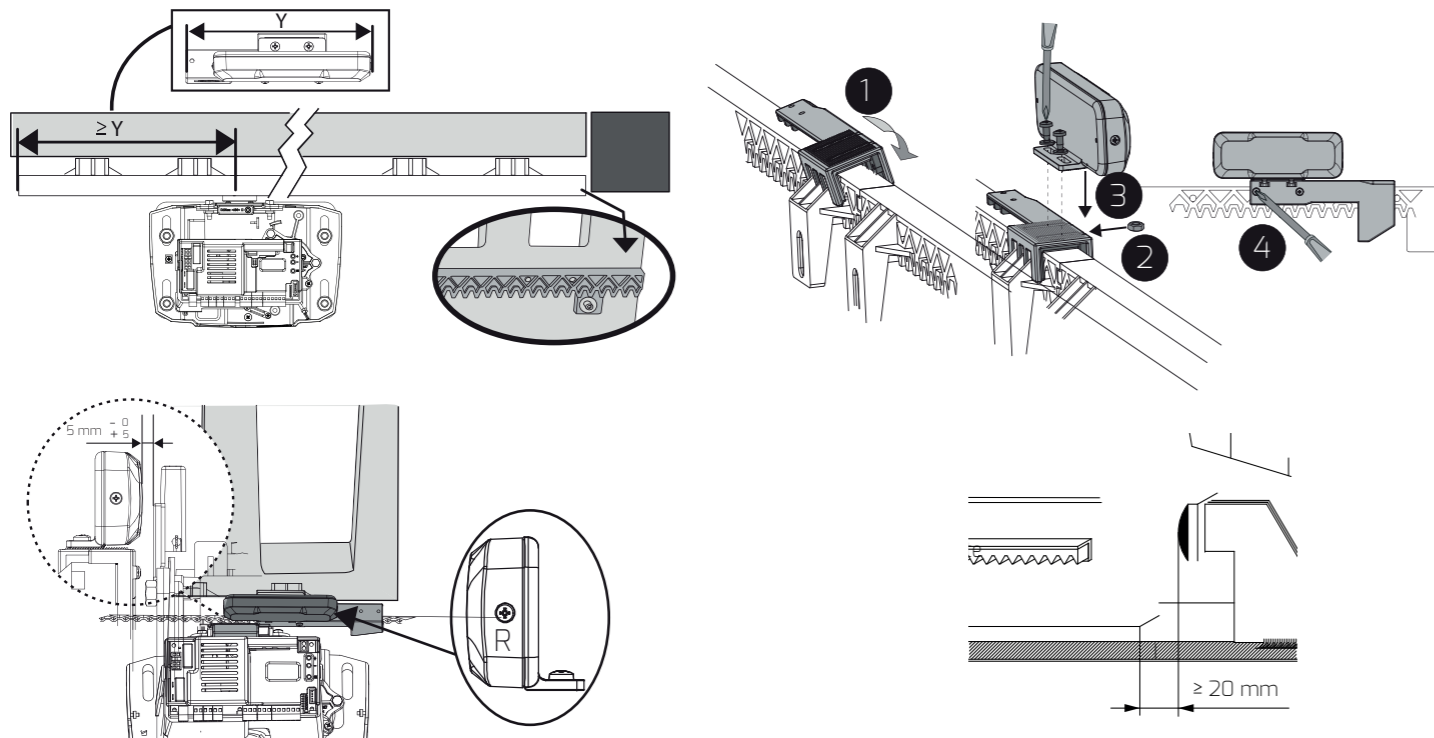
Use normalised black cables
R02V - H05VVF



2 Motor fastening

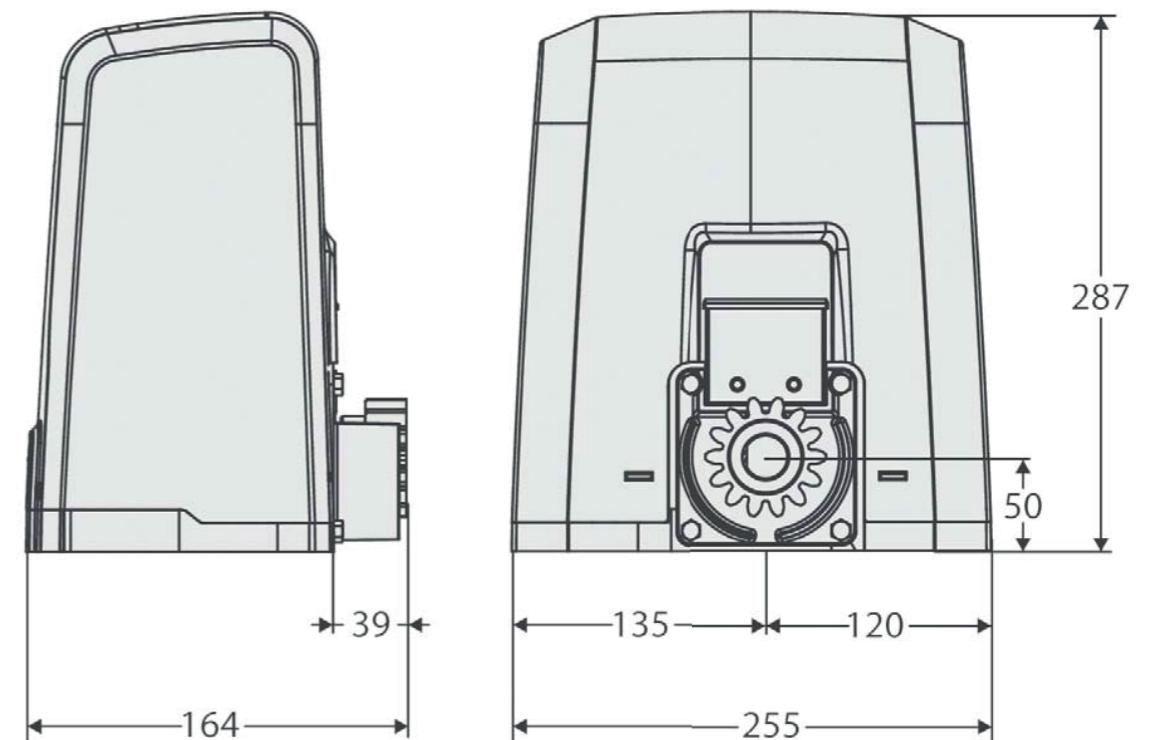


3 Limit switch adjustment

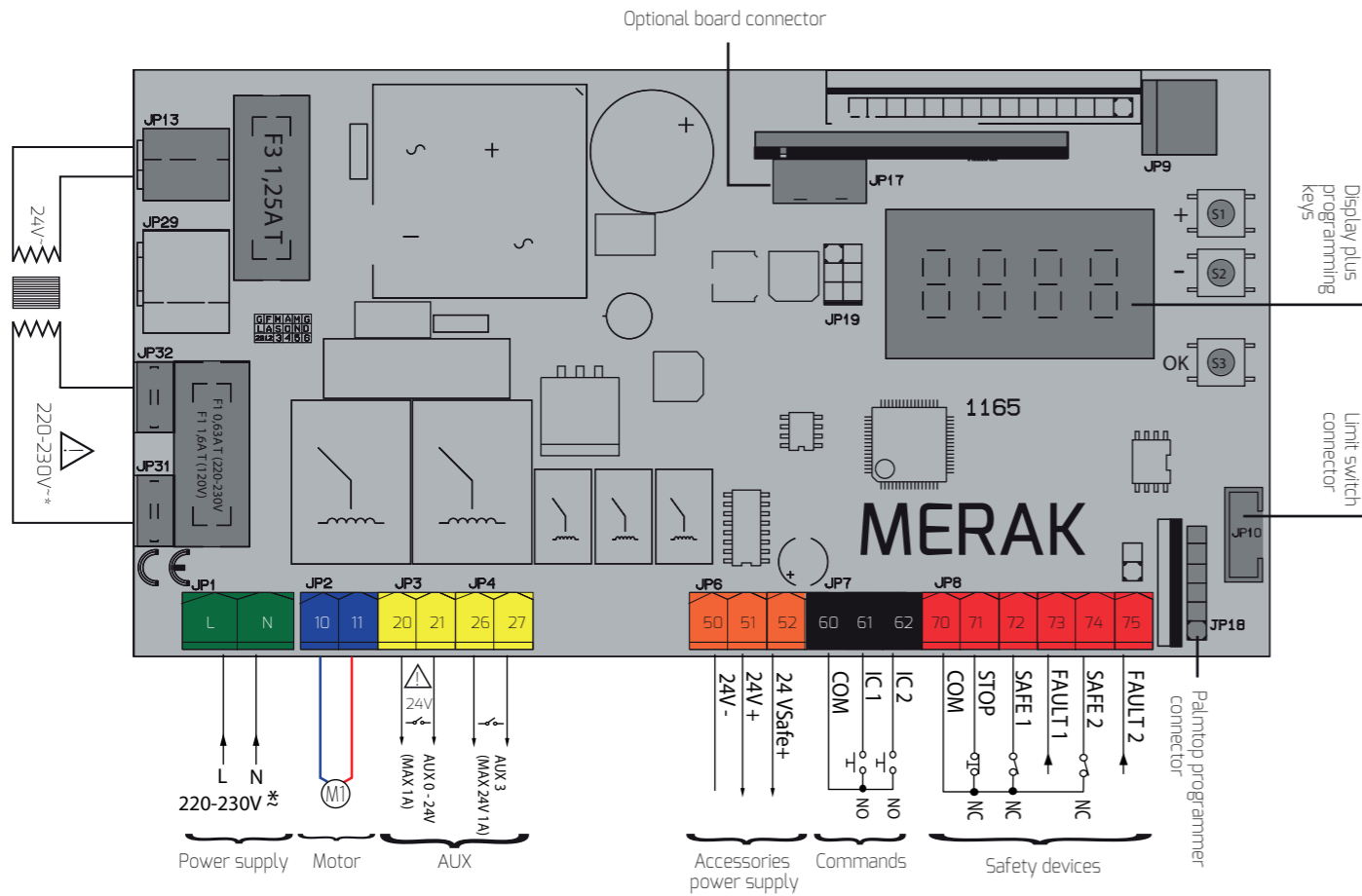


Note: the first impulse after power-on is an opening to the right.

4 Programming (see reverse)



Merak control board



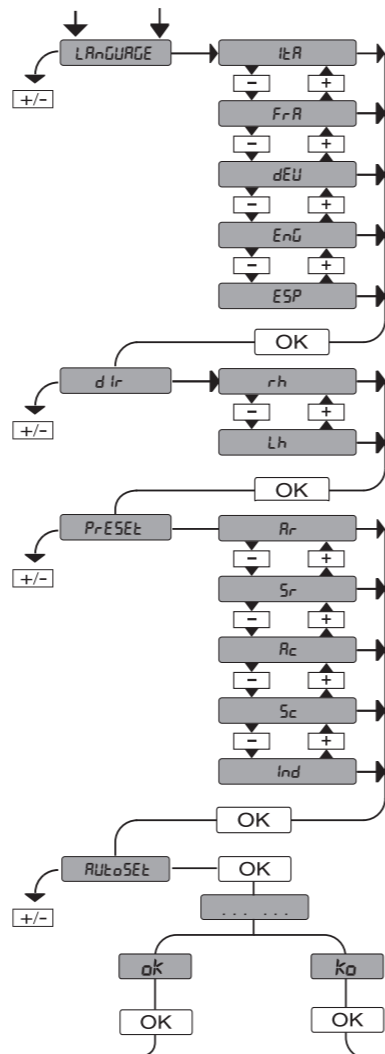
1 Simplified menu: basic regulations



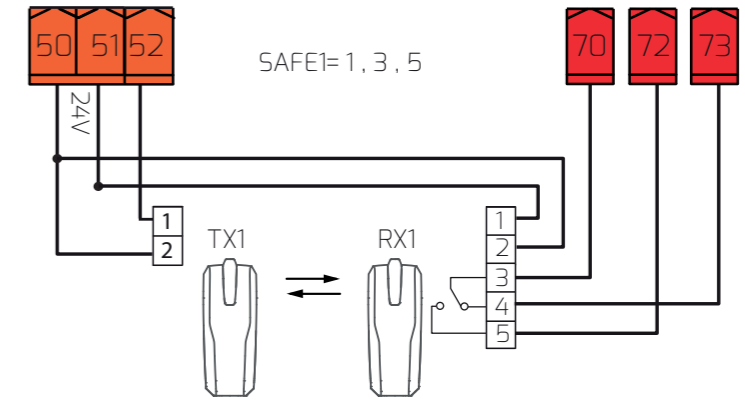
Motor at stroke centre and in gear:

- apply power
- 1x OK: language appears. 3x - (ENG) + click OK
- select direction (opening direction). Select (right or left) interior view + click OK
- select preset. (Ar: automatic stop. or Sr: semi-automatic stop). Select + click OK
- start autaset with portal at stroke centre, it stops.
- If the operation is not a stop, press +/- simultaneously.
- Reconnect the motor in the right direction (see Direction Menu).
- When autaset finishes, the display show OK.
- start programming the remote controls; the screen reads "mem. remotes":
- Leave it alone. The screen displays "hidden key": you can programme your remote controls.

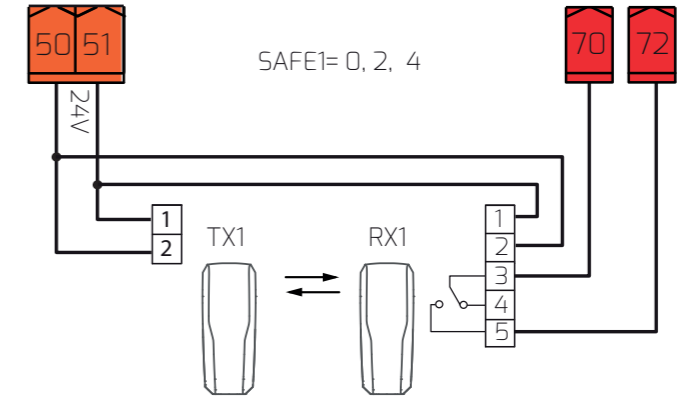
SUO: portal open
SUC: portal closed



2a) Wire the THEA photocells.

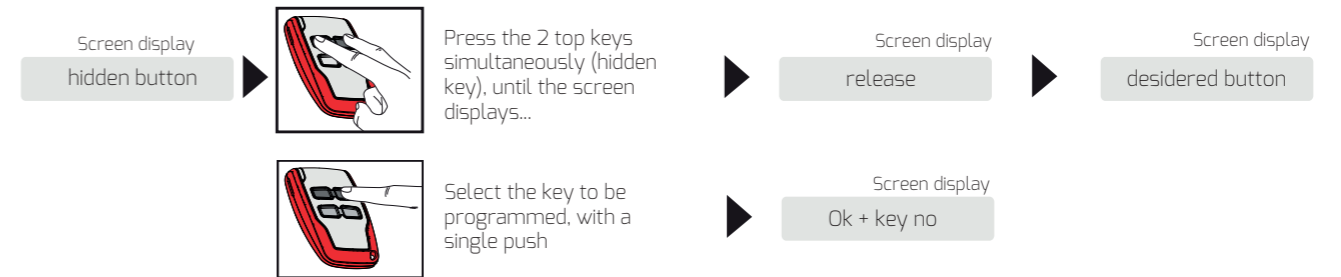


2b) Wire the DESME photocells.



3 How to programme the remote control

- Access the radio menu
- Select the channel you want ("add start" total opening or "add2ch" for the 2nd channel), then press OK.



4 How to perform an open/close test by using the remote control.

As an option, you can go even further...

- 1 - I wish to de-activate the photocells while opening: Access the **Logic** menu, scroll down to screen SAFE 1, go to 4.
- 2 - I wish to access automatic closing: Access the **logic** menu, scroll down to the TCA screen, go to 1.
- 3 - I wish to adjust the automatic closing time: Access the **Param** menu, click OK, and scroll down to the TCA screen, enter the value and click OK.
- 4 - I wish to activate pedestrian opening: Access the **Logic** menu; scroll down to screen AUX 3, go to 1.(then continue programming the 2nd key on your remote control).