



Be ahead



KUSTOS BT B

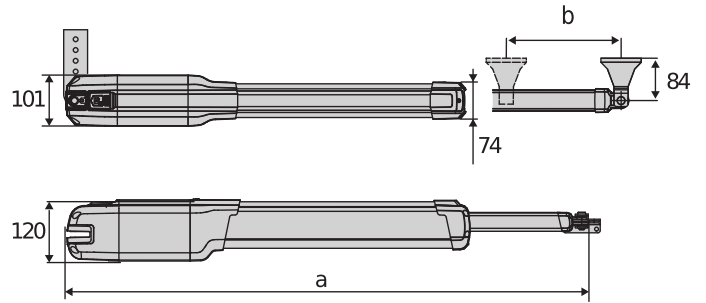




KUSTOS BT B

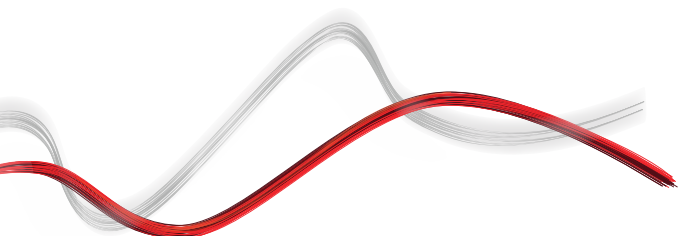


Electromechanical automation systems for swing gates



	a	b
KUSTOS BT B 25	1090	Cu MAX 235
KUSTOS BT B 40	1210	Cu MAX 295

	KUSTOS BT B25	KUSTOS BT B40
Control unit	THALIA	THALIA
Board power supply	230 V	230 V
Operator type	electromechanically operated swing gates	electromechanically operated swing gates
Max. weight of door/gate wing	400 kg	700 kg
Max. width of door/gate wing	3 m	4 m
Max. length gate panel without electric lock	2 m	3 m
Motor voltage	24 V	24 V
Power consumption	40 W	40 W
Thrust and traction force	2000 N	2000 N
Useful rod stroke	250 mm	355 mm
Maximum angle	119 °	124 °
Type of limit switch	Magnetic	Magnetic
Slowdown	Yes	Yes
Impact reaction	D-Track	D-Track
Locking	Mechanical	Mechanical
Release	Personal key	Personal key
Max. opening cycles per hour	30	30
Environmental conditions	-20 ÷ 55 °C	-20 ÷ 55 °C
Protection rating	IP44	IP44





KUSTOS BT B



Electromechanical automation systems for swing gates



Relevant features



The limit switches positioned at the top of the motor are easy to adjust thanks to the exclusive vibration or flashing light feedback function (patented). Built-in mechanical open stop avoids the use of a ground stop.



Thanks to the increase in opening speed, waiting times are reduced and ease of use improves.



24 V

The 24 V technology and electronic control help to keep people safe from impacts without a need for supplementary safety devices.

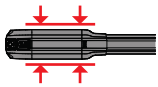


d-track

The exclusive D-Track technology increases the safety of the automation by ensuring the thrust applied is the minimum necessary to ensure movement and permits adaptive control of the force according to changes in usage and environmental conditions, reducing maintenance operations as a result.



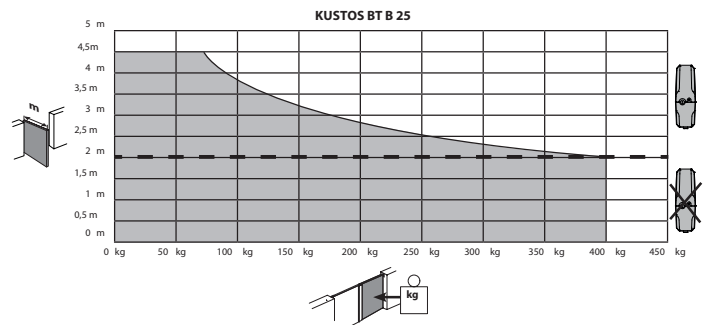
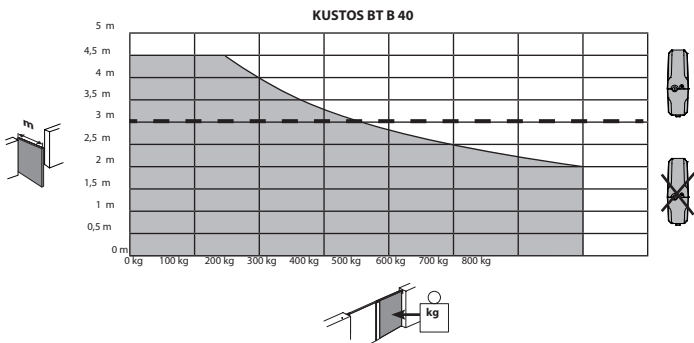
Exclusive Hi-Tech design in line with current style trends



One of the most compact operators on the market, it is versatile for use in a wide range of installation conditions, even with limited space or thick pillars.



The exclusive Easy Set App helps the installer to define the correct installation positions to achieve the required opening angle and fluid movement.





INFORMATION REGARDING THE PROTECTION OF THE INDUSTRIAL AND INTELLECTUAL PROPERTY RIGHTS OF BFT. BFT S.p.A. protects its industrial property by depositing trademarks, patents, models and designs. The intellectual property of BFT S.p.A. is protected by copyright law. BFT S.p.A. also protects its know-how by taking measures to protect the technical and commercial information inherent in its company and products. All the products in this catalogue are ORIGINAL BFT MODELS and only BFT S.p.A. is authorised to produce them and market them anywhere in the world. All the commercial names in this catalogue are owned by BFT S.p.A., and only BFT S.p.A. is authorised to use them in relation to the corresponding merchandise category. FALSIFIERS WILL BE PROCEEDED AGAINST IN ACCORDANCE WITH BOTH CIVIL AND CRIMINAL LAW. THESE CONDITIONS NOT ONLY GUARANTEE THE INTELLECTUAL PROPERTY RIGHTS OF BFT, BUT ALSO PROTECT CUSTOMERS BY GUARANTEEING THAT THE PRODUCTS THEY ARE PURCHASING ARE ORIGINAL BFT PRODUCTS RESULTING FROM STUDIES AND DESIGNS WITHIN THE BFT COMPANY.