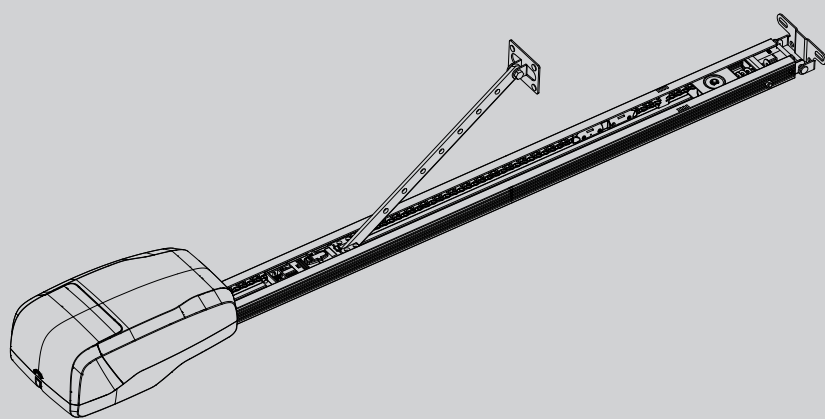




AUTOMAZIONI PER PORTE BASCULANTI E SEZIONALI
 AUTOMATION FOR OVERHEAD AND SECTIONAL GARAGE DOORS
 AUTOMATION POUR PORTES BASCULANTES ET SECTIONALES
 GARAGENTORANTRIEB FÜR SCHWING UND SEKTIONALTORE
 AUTOMATIZACIONES PARA PUERTAS BASCULANTE Y SECCIONALES
 AUTOMATISERINGEN VOOR KANTEL- EN SECTIEDEUREN



ISTRUZIONI D'USO E DI INSTALLAZIONE
 INSTALLATION AND USER'S MANUAL
 INSTRUCTIONS D'UTILISATION ET D'INSTALLATION
 INSTALLATIONS-UND GEBRAUCHSANLEITUNG
 INSTRUCCIONES DE USO Y DE INSTALACION
 INSTALLATIEVOORSCHRIFTEN

TIZIANO B GDA 260 S01

BFT



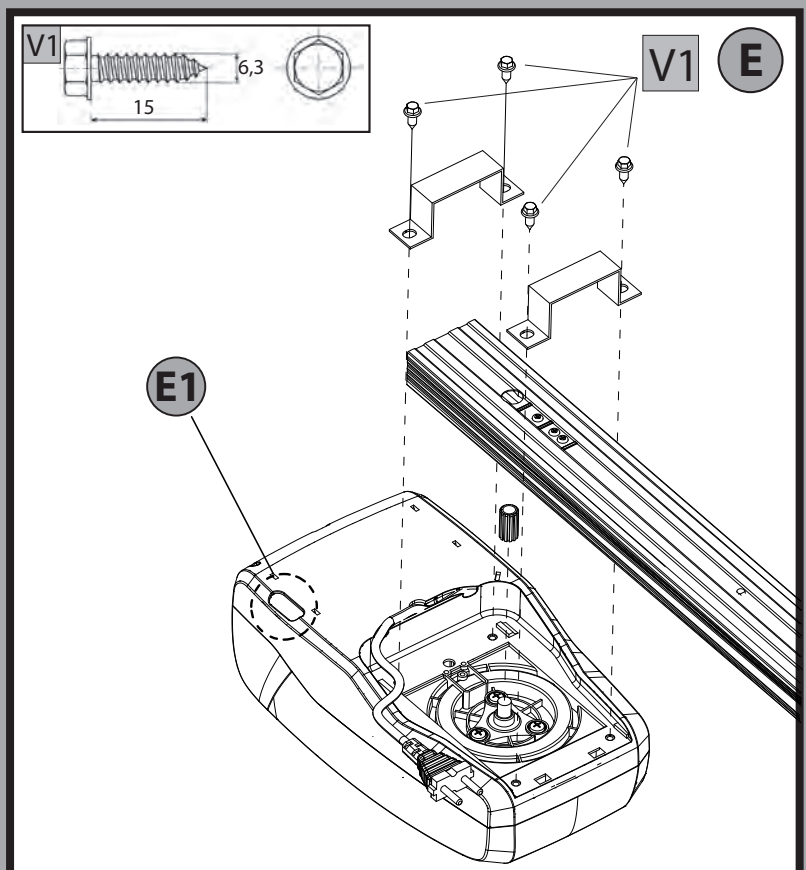
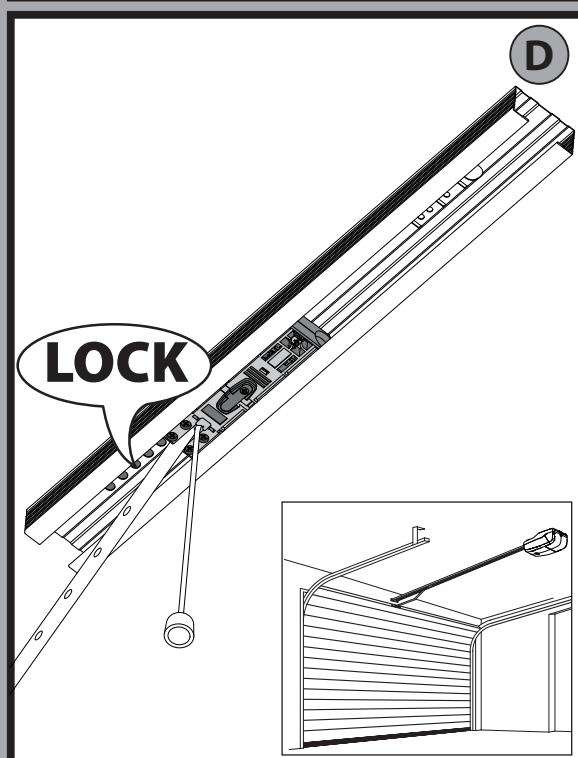
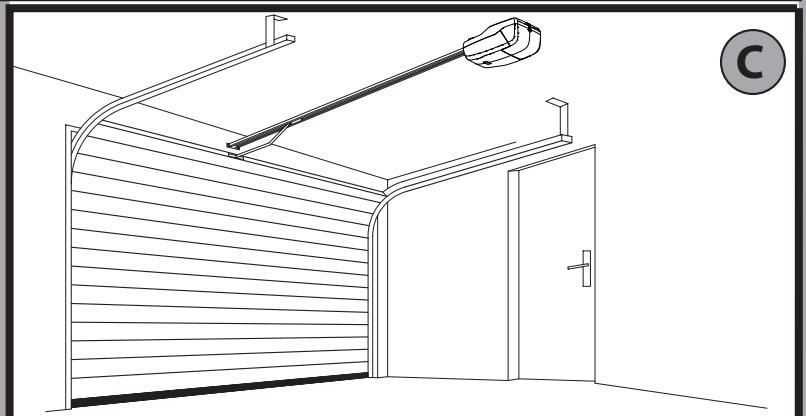
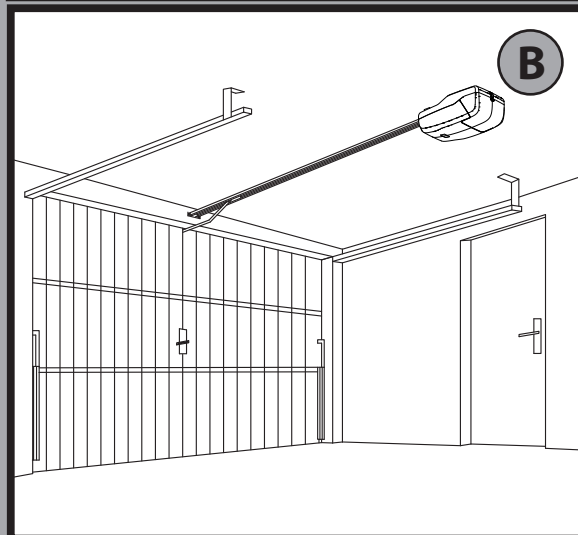
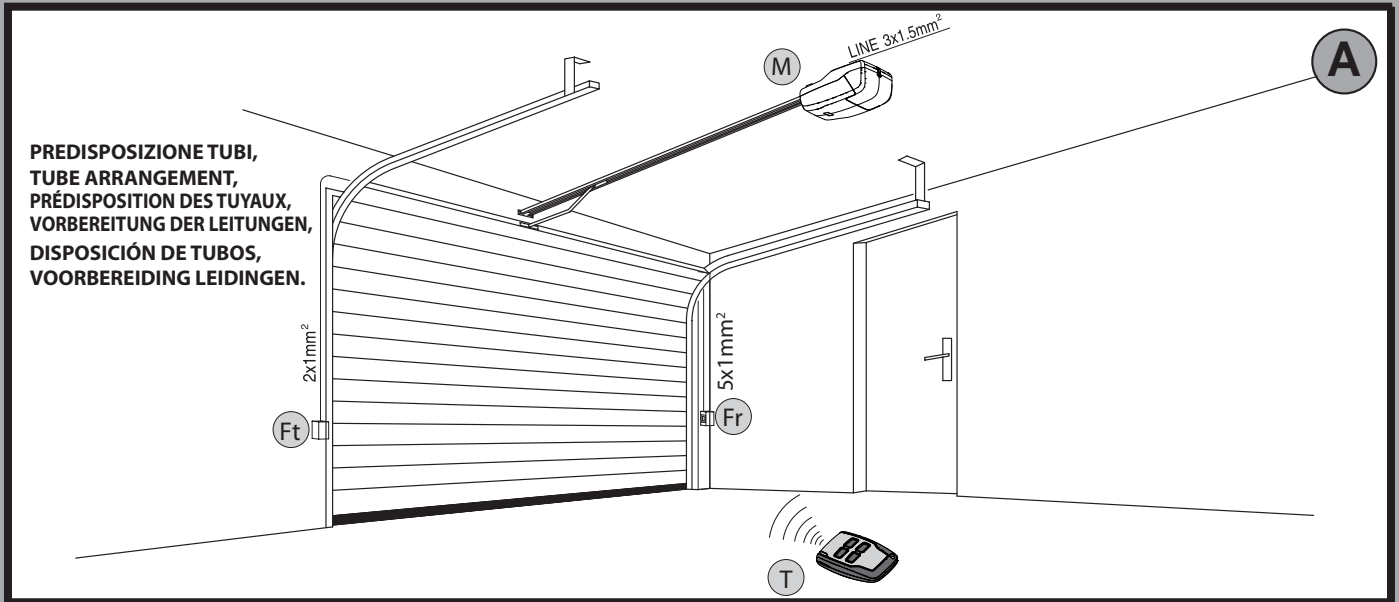
AZIENDA CON SISTEMA DI GESTIONE
 INTEGRATO CERTIFICATO DA DNV
 = UNI EN ISO 9001:2008 =
 UNI EN ISO 14001:2004

INSTALLAZIONE VELOCE-QUICK INSTALLATION-INSTALLATION RAPIDE SCHNELLINSTALLATION-INSTALACIÓN RÁPIDA - SNELLE INSTALLATIE



- a) Prima di iniziare con l'installazione bisogna leggere le avvertenze.
 a) Before commencing installation, make sure you read the warnings.
 a) Avant de commencer l'installation lisez les avertissements.
 a) Vor der Installation müssen die Hinweise gelesen werden.
 a) Antes de comenzar con la instalación es necesario leer las advertencias.
 a) Voor met de installatie te beginnen moet u de waarschuwingen lezen.
- b) Oltre alle figure, bisogna seguire le indicazioni date nel paragrafo corrispondente a pag.8
 b) In addition to the figures, you must follow the instructions given in the relevant section on page 11
 b) Suivez non seulement les figures mais aussi les indications données dans le paragraphe correspondant à la page 14
 b) Außer den Abbildungen müssen die Angaben im entsprechenden Abschnitt auf Seite 17 befolgt werden
 b) Además de las figuras, es necesario seguir las indicaciones dadas en el apartado correspondiente en pág. 20
 b) Volg niet alleen de figuren, maar ook de aanwijzingen die in de paragraaf op pag. 23 staan

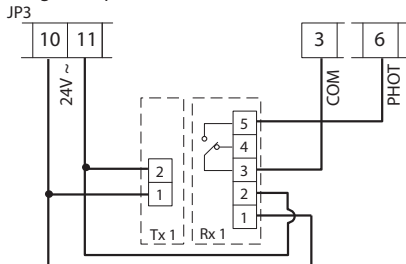
D811796 00100_05



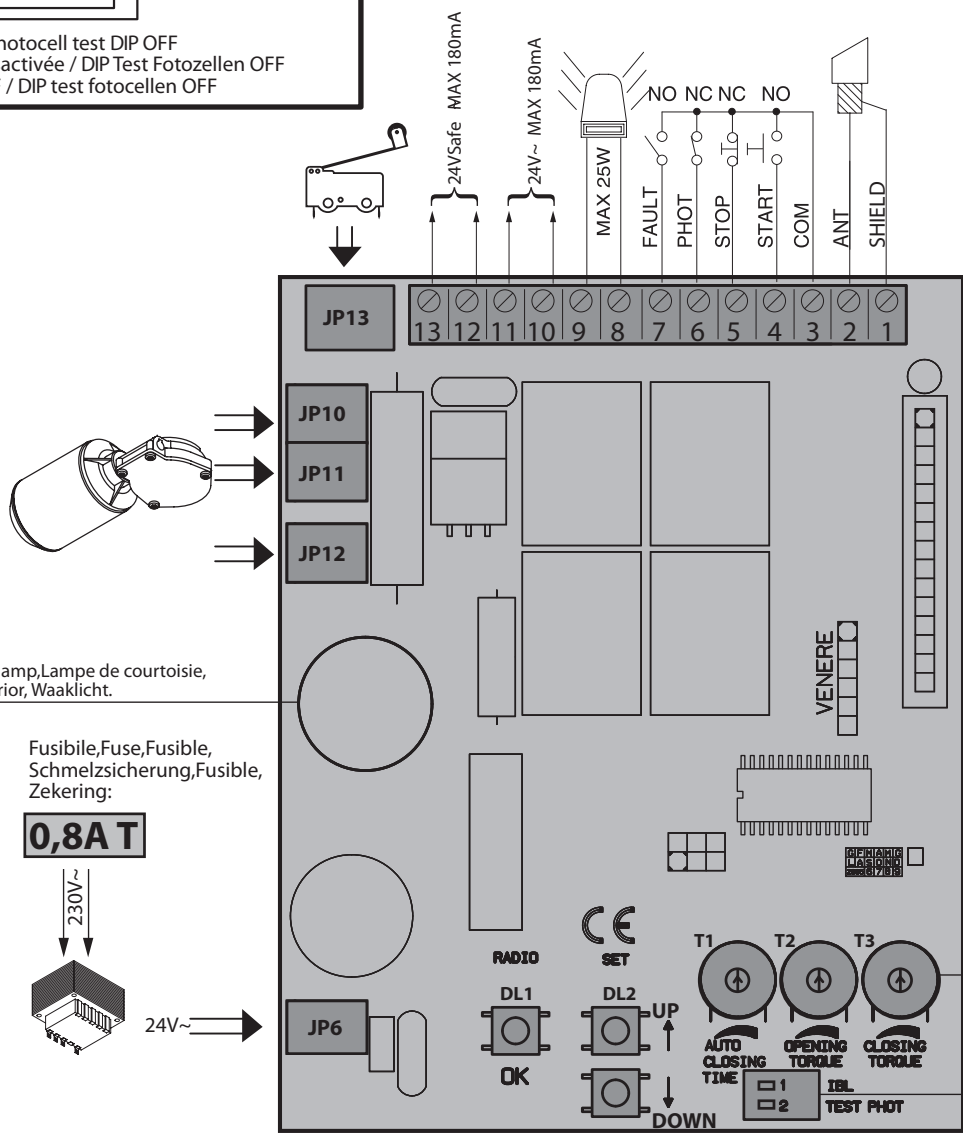
FOTOCELLULE /PHOTOCELL / PHOTOCELLULES / FOTOZELLEN / FOTOCÉLULAS / FOTOCELLEN

Collegamento di 1 coppia fotocellule non verificate
 Connection of 1 pair of non-tested photocells
 Connexion 1 paire photocellules non vérifiées
 Anschluss von einem Paar nicht überprüften Fotozellen
 Conexión de 1 par fotocélulas no comprobadas
 Aansluiting van 1 paar fotocellen anders dan "trusted device"

DIP TEST PHOT = ON



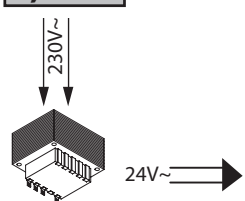
DIP test fotocellule OFF/ Photocell test DIP OFF
 DIP essai photocellules Désactivée / DIP Test Fotozellen OFF
 DIP prueba fotocélulas OFF / DIP test fotocellen OFF



Luce di cortesia, Courtesy lamp, Lampe de courtoisie, Hilfsbeleuchtung, Luz interior, Waaklicht.

Fusibile, Fuse, Fusible, Schmelzsicherung, Fusible, Zekering:

0,8A T

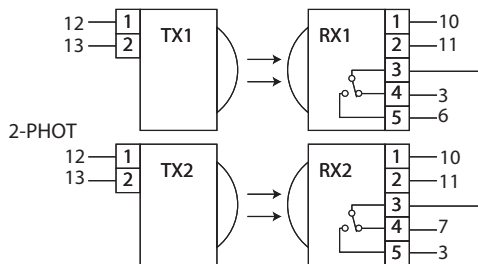
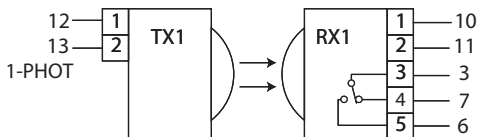


Trimmer regolazioni, Adjustment trimmer, Trimmer réglages, Einstelltrimmer, Trimmers para las regulaciones, Instellingen Trimmer.

DIP SWITCH

Fig.F1

FOTOCELLULE /PHOTOCELL / PHOTOCELLULES / FOTOZELLEN / FOTOCÉLULAS / FOTOCELLEN



REGOLAZIONE FINECORSO, LIMIT DEVICE SETTING, ÉGLAGE FIN DE COURSE, EINSTELLUNG DER ENDSCHALTER, REGULACION DEL GRUPO DE FIN DE CARRERA, REGELING EINDAANSLAG.

G

1

5 sec.

2

DOWN

3

1 sec.

OK

4

UP

5

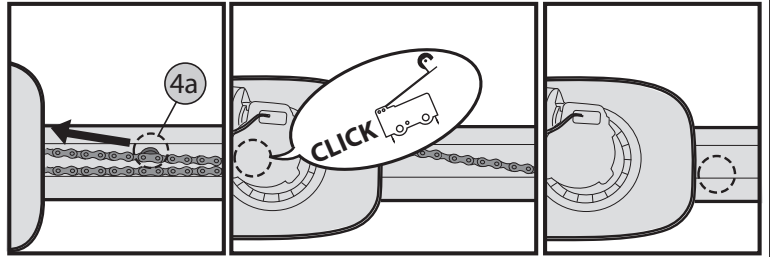
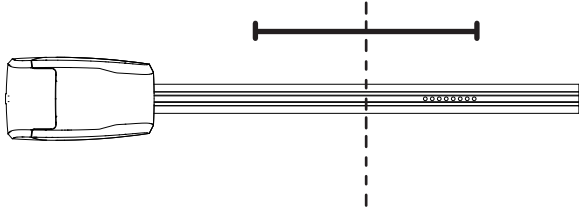
1 sec.

OK

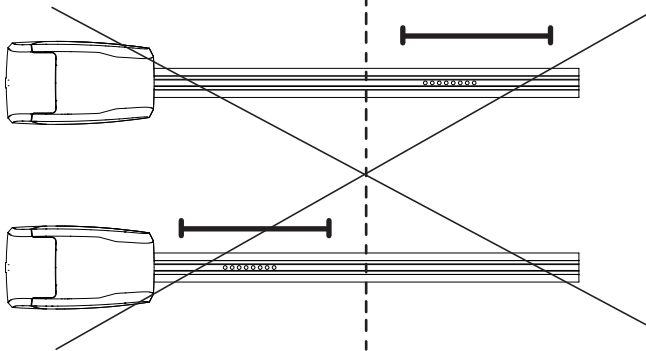
CHIUSURA
CLOSING
FERMETURE
SCHLIESSUNG
CIERRE
SLUITING

APERTURA
OPENING
OUVERTURE
ÖFFNUNG
APERTURA
OPENING

OK!



ERROR!



5 sec.

ERROR!

AUTOSET COPPIA APERTURA / CHIUSURA, OPENING / CLOSING TORQUE AUTOSETTING, RÉGLAGE AUTOMATIQUE COUPLE OUVERTURE / FERMETURE, AUTOSET DREHMOMENT ÖFFNUNG / SCHLIESSUNG, AJUSTE AUTOMATICO DEL PAR EN FASE DE APERTURA / CIERRE, CIERRE, ZELFINSTELLING KOPPEL OPENING.

H

1

5 sec.

2

3

4

SWC

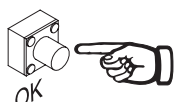

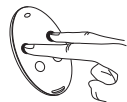



AUTO OPEN

SWO









AUTO CLOSE

I





PROGRAMMAZIONE TRASMETTITORI MANUALE, MANUAL TRANSMITTER PROGRAMMING, PROGRAMMATION ÉMETTEURS MANUELLE, MANUELLE SENDERPROGRAMMIERUNG, PROGRAMACION DE TRANSMISORES MANUAL, HANDMATIGE PROGRAMMIERUNG ZENDERS.

<p>1</p>  <p>OK</p>  <p>RADIO</p>	<p>2</p>   <p>RADIO</p>	<p>3</p>   <p>RADIO</p>
---	---	---

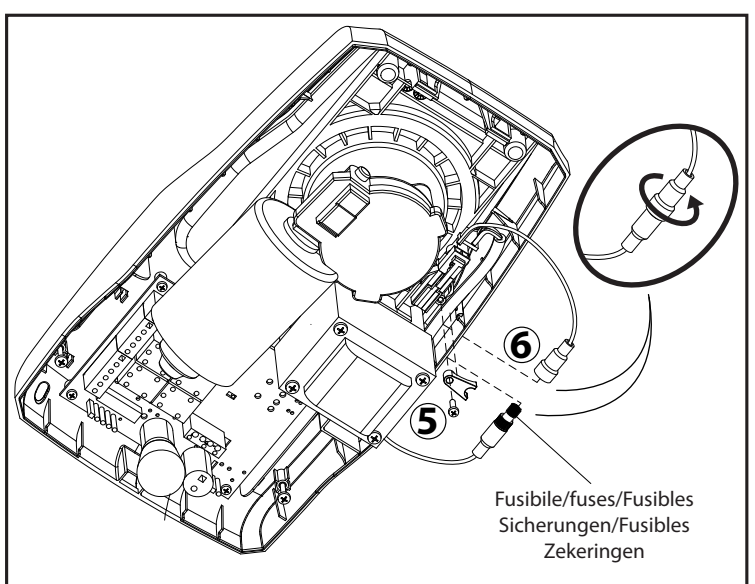
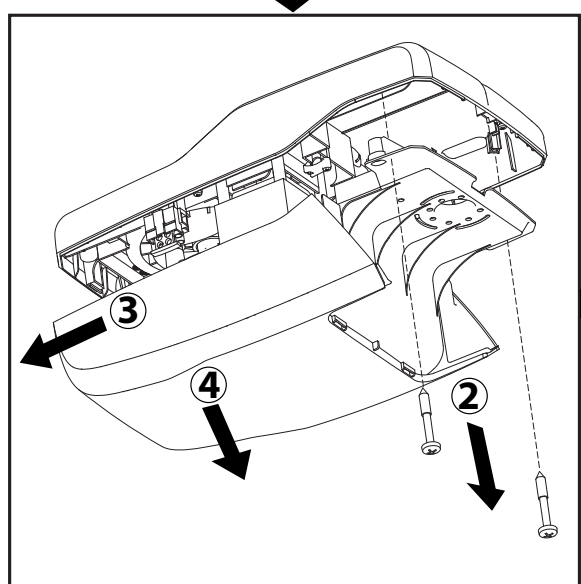
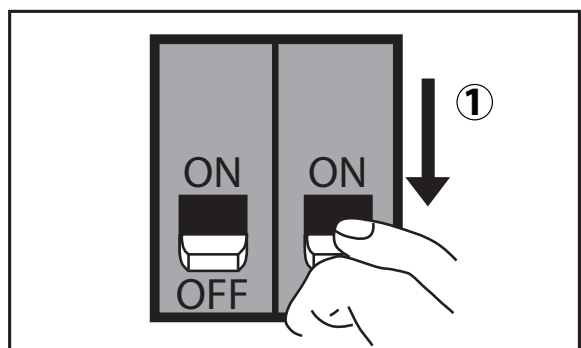
PROGRAMMAZIONE TRASMETTITORI REMOTA, REMOTE TRANSMITTER PROGRAMMING, PROGRAMMATION ÉMETTEURS A DISTANCE, FERNPROGRAMMIERUNG DER SENDER, PROGRAMACION DE TRANSMISORES REMOTA, REMOTE PROGRAMMIERUNG TRANSMITTERS.

<p>1</p> <p>Radiocomando già memorizzato Radio transmitter already memorised Radiocommande déjà mémorisée Bereits gespeicherte Funksteuerung Radiomando ya memorizado Reeds gememoriseerde afstandsbediening</p>  	<p>2</p> <p>Radiocomando già memorizzato Radio transmitter already memorised Radiocommande déjà mémorisée Bereits gespeicherte Funksteuerung Radiomando ya memorizado Reeds gememoriseerde afstandsbediening</p>  	<p>3</p> <p>Radiocomando da memorizzare Radio transmitter to memorise Radiocommande à mémoriser Zu speichernde Funksteuerung Radiomando que memorizar Te memoriseren afstandsbediening</p>  	<p>4</p> <p>Radiocomando da memorizzare Radio transmitter to memorise Radiocommande à mémoriser Zu speichernde Funksteuerung Radiomando que memorizar Te memoriseren afstandsbediening</p>  
--	--	--	--

CANCELLAZIONE TRASMETTITORI, TRANSMITTER CANCELLATION, TION ÉMETTEURS, LÖSCHEN VON SENDERN, ANNULERING ZENDERS.

<p>1</p>  <p>OK</p>  <p>RADIO</p> <p>10 sec.</p>	<p>2</p> <p>Cancellazione in corso Cancellation in progress Annulation en cours Löschvorgang läuft Cancelación en curso Bezig met wissen</p>  <p>RADIO</p>	<p>3</p> <p>Cancellazione effettuata Cancellation completed Annulation effectuée Löschung ist erfolgt Cancelación efectuada Wissen uitgevoerd</p>  <p>RADIO</p>
---	---	--

L



M

V1

Non in dotazione /
Not supplied / Ne sont pas fournis /
Nicht im Lieferumfang /
No asignadas en el equipamiento base /
Niet meegeleverd

V1

6
80

N

M8

* Non in dotazione /
Not supplied / Ne sont pas fournis /
Nicht im Lieferumfang /
No asignadas en el equipamiento base /
Niet meegeleverd

V2 + R1

V2

20
8

R1

Ø8

* Consigliate/advised/ Conseillées
Empfohlen/ Recomendadas
Aangeraden

O

108±166mm*

V3

6,3
15

P

V2

R1

M8

V2

20

R2

Ø8

35

Q

1

Aprire la confezione del gruppo rotaia
Open the rail assembly pack
Ouvrez l'emballage du groupe rail
Öffnen Sie die Verpackung der Baugruppe Schiene.
Abrir el embalaje del grupo carril
Open de verpakking van de rails

2

Posizionare la rotaia sviluppandola nella direzione della freccia
Unfold the rail in the direction of the arrow
Placez le rail en le déroulant dans le sens de la flèche
Positionieren Sie die Schiene in Pfeilrichtung.
Posicionar el carril extendiéndolo en la dirección que indica la flecha
Plaats de rail in de richting van de pijl

3

Muovere il connettore verso il centro della rotaia e tra le posizioni di finecorsa
Move the connector to the middle of the rail and between the position limits
Déplacez le connecteur vers le centre du rail et entre les positions de fin de course
Bewegen Sie die Steckverbindung zum Zentrum der Schiene und zwischen die Positionen der Endschalter.
Mover el conector hacia el centro del carril y entre las posiciones de final de carrera
Verplaats de stekker naar het midden van de rail en tussen de eindposities!

Posizione di finecorsa
Position limit
Position de fin de course
Position des Endschalters
Posición de final de carrera
Eindpositie

Connettore/Connector/ Connecteur/ Steckverbindung/ Conector/ Stekker

4

Serrare il dado con una boccia Ø10
Tighten the nut with a sleeve Ø10
Serrez l'écrou avec une douille de 10 de diamètre
Ziehen Sie die Mutter mit einer Büchse Ø 10 an.
Apretar la tuerca con un casquillo Ø10
Draai de moer vast met een bus Ø10

R

5

Regolare come indicato nel disegno
Adjust as the drawing shows
Réglez de la façon indiquée sur le dessin
Stellen Sie sie wie auf der Zeichnung gezeigt ein.
Ajustar como se indica en el diseño
Afstellen zoals in de tekening is aangeduid

39-41 mm

6

Fine
Finished
FIN
Ende
Final
Final
Einde

INSTALLER WARNINGS

WARNING! Important safety instructions. Carefully read and comply with all the warnings and instructions that come with the product as incorrect installation can cause injury to people and animals and damage to property. The warnings and instructions give important information regarding safety, installation, use and maintenance. Keep hold of instructions so that you can attach them to the technical file and keep them handy for future reference.

GENERAL SAFETY

This product has been designed and built solely for the purpose indicated herein. Uses other than those indicated herein might cause damage to the product and create a hazard.

- The units making up the machine and its installation must meet the requirements of the following European Directives, where applicable: 2004/108/EC, 2006/95/EC, 2006/42/EC, 89/106/EC, 99/05/EC and later amendments. For all countries outside the EEC, it is advisable to comply with the standards mentioned, in addition to any national standards in force, to achieve a good level of safety.
- The Manufacturer of this product (hereinafter referred to as the "Firm") disclaims all responsibility resulting from improper use or any use other than that for which the product has been designed, as indicated herein, as well as for failure to apply Good Practice in the construction of entry systems (doors, gates, etc.) and for deformation that could occur during use.
- Before installing the product, make all structural changes required to produce safety gaps and to provide protection from or isolate all crushing, shearing and dragging hazard areas and danger zones in general in accordance with the provisions of standards EN 12604 and 12453 or any local installation standards. Check that the existing structure meets the necessary strength and stability requirements.
- Before commencing installation, check the product for damage.
- The Firm is not responsible for failure to apply Good Practice in the construction and maintenance of the doors, gates, etc. to be motorized, or for deformation that might occur during use.
- Make sure the stated temperature range is compatible with the site in which the automated system is due to be installed.
- Do not install this product in an explosive atmosphere: the presence of flammable fumes or gas constitutes a serious safety hazard.
- Disconnect the electricity supply before performing any work on the system. Also disconnect buffer batteries, if any are connected.
- Before connecting the power supply, make sure the product's ratings match the mains ratings and that a suitable residual current circuit breaker and overcurrent protection device have been installed upline from the electrical system. Have the automated system's mains power supply fitted with a switch or omnipolar thermal-magnetic circuit breaker with a contact separation that meets code requirements.
- Make sure that upline from the mains power supply there is a residual current circuit breaker that trips at no more than 0.03A as well as any other equipment required by code.
- Make sure the earth system has been installed correctly: earth all the metal parts belonging to the entry system (doors, gates, etc.) and all parts of the system featuring an earth terminal.
- Installation must be carried out using safety devices and controls that meet standards EN 12978 and EN 12453.
- Impact forces can be reduced by using deformable edges.
- In the event impact forces exceed the values laid down by the relevant standards, apply electro-sensitive or pressure-sensitive devices.
- Apply all safety devices (photo-cells, safety edges, etc.) required to keep the area free of impact, crushing, dragging and shearing hazards. Bear in mind the standards and directives in force, Good Practice criteria, intended use, the installation environment, the operating logic of the system and forces generated by the automated system.
- Apply all signs required by current code to identify hazardous areas (residual risks). All installations must be visibly identified in compliance with the provisions of standard EN 13241-1.
- Once installation is complete, apply a nameplate featuring the door/gate's data.
- This product cannot be installed on leaves incorporating doors (unless the motor can be activated only when the door is closed).
- If the automated system is installed at a height of less than 2.5 m or is accessible, the electrical and mechanical parts must be suitably protected.
- Install any fixed controls in a position where they will not cause a hazard, away from moving parts. More specifically, hold-to-run controls must be positioned within direct sight of the part being controlled and, unless they are key operated, must be installed at a height of at least 1.5 m and in a place where they cannot be reached by the public.
- Apply at least one warning light (flashing light) in a visible position, and also attach a Warning sign to the structure.
- Attach a label near the operating device, in a permanent fashion, with information on how to operate the automated system's manual release.
- Make sure that, during operation, mechanical risks are avoided or relevant protective measures taken and, more specifically, that nothing can be banged, crushed, caught or cut between the part being operated and surrounding parts.
- Once installation is complete, make sure the motor automation settings are correct and that the safety and release systems are working properly.
- Only use original spare parts for any maintenance or repair work. The Firm disclaims all responsibility for the correct operation and safety of the automated system if parts from other manufacturers are used.
- Do not make any modifications to the automated system's components unless explicitly authorized by the Firm.
- Instruct the system's user on what residual risks may be encountered, on the control systems that have been applied and on how to open the system manually in an emergency. Give the user guide to the end user.
- Dispose of packaging materials (plastic, cardboard, polystyrene, etc.) in accordance with the provisions of the laws in force. Keep nylon bags and polystyrene out of reach of children.

WIRING

WARNING! For connection to the mains power supply, use a multicore cable with a cross-sectional area of at least 5x1.5mm² or 4x1.5mm² when dealing with three-phase power supplies or 3x1.5mm² for single-phase supplies (by way of example, type H05 VV-F cable can be used with a cross-sectional area of 4x1.5mm²). To connect auxiliary equipment, use wires with a cross-sectional area of at least 0.5 mm².

- Only use pushbuttons with a capacity of 10A-250V or more.
- Wires must be secured with additional fastening near the terminals (for example, using cable clamps) in order to keep live parts well separated from safety extra low voltage parts.
- During installation, the power cable must be stripped to allow the earth wire to be connected to the relevant terminal, while leaving the live wires as short as possible. The earth wire must be the last to be pulled taut in the event the cable's fastening device comes loose.

WARNING! safety extra low voltage wires must be kept physically separate from low voltage wires. Only qualified personnel (professional installer) should be allowed to access live parts.

CHECKING THE AUTOMATED SYSTEM AND MAINTENANCE

Before the automated system is finally put into operation, and during maintenance work, perform the following checks meticulously:

- Make sure all components are fastened securely.
- Check starting and stopping operations in the case of manual control.
- Check the logic for normal or personalized operation.
- For sliding gates only: check that the rack and pinion mesh correctly with 2 mm of play along the full length of the rack; keep the track the gate slides on clean and free of debris at all times.
- For sliding gates and doors only: make sure the gate's running track is straight and horizontal and that the wheels are strong enough to take the weight of the gate.
- For cantilever sliding gates only: make sure there is no dipping or swinging during operation.
- For swing gates only: make sure the leaves' axis of rotation is perfectly vertical.
- Check that all safety devices (photo-cells, safety edges, etc.) are working properly and that the anti-crush safety device is set correctly, making sure that the force of impact measured at the points provided for by standard EN 12445 is lower than the value laid down by standard EN 12453.
- Impact forces can be reduced by using deformable edges.
- Make sure that the emergency operation works, where this feature is provided.
- Check opening and closing operations with the control devices applied.
- Check that electrical connections and cabling are intact, making extra sure that insulating sheaths and cable glands are undamaged.
- While performing maintenance, clean the photo-cells' optics.
- When the automated system is out of service for any length of time, activate the emergency release (see "EMERGENCY OPERATION" section) so that the operated part is made idle, thus allowing the gate to be opened and closed manually.
- If the power cord is damaged, it must be replaced by the manufacturer or their technical assistance department or other such qualified person to avoid any risk.
- If "D" type devices are installed (as defined by EN12453), connect in unverified mode, foresee mandatory maintenance at least every six months

WARNING!

Remember that the drive is designed to make the gate/door easier to use and will not solve problems as a result of defective or poorly performed installation or lack of maintenance

SCRAPPING

Materials must be disposed of in accordance with the regulations in force. There are no particular hazards or risks involved in scrapping the automated system. For the purpose of recycling, it is best to separate dismantled parts into like materials (electrical parts - copper - aluminium - plastic - etc.).

DISMANTLING

If the automated system is being dismantled in order to be reassembled at another site, you are required to:

- Cut off the power and disconnect the whole electrical system.
- Remove the actuator from the base it is mounted on.
- Remove all the installation's components.
- See to the replacement of any components that cannot be removed or happen to be damaged.

Anything that is not explicitly provided for in the installation manual is not allowed. The operator's proper operation can only be guaranteed if the information given is complied with. The Firm shall not be answerable for damage caused by failure to comply with the instructions featured herein.

While we will not alter the product's essential features, the Firm reserves the right, at any time, to make those changes deemed opportune to improve the product from a technical, design or commercial point of view, and will not be required to update this publication accordingly.

2) GENERAL OUTLINE

The **TIZIANO B GDA 260 S01** system is suitable for motorising sectional doors (fig. C), protruding fully retracting spring-operated overhead doors (fig. B). The overhead door must not be higher than 3 metres. Its easy installation allows fast fitting without needing the door to be modified. The irreversible gearmotor keeps the door locked in the closing position.

3) TECHNICAL SPECIFICATIONS

ACTUATOR	
Power supply	230V~±10%, 50/60Hz single-phase (*)
Motor voltage	24V~
Max. power absorbed from mains	100 W
Towing and pushing force	600N
Working stroke	TRACK L.=3000 corsa utile=2520 mm TRACK L.=3600 corsa utile=3120 mm
Average speed	6.6 m/min
Impact reaction	integrated torque limiter on control panel
Manoeuvres in 24 hours	20
Limit switch	Electronic with ENCODER
Courtesy light	24V~ 25W max, E14 Bulb
Working temperature	-20°C / +60°C
Degree of protection	IPX0
Motor head weight	5 kg
Noise level	<70dB(A)
Dimensions	See fig.P
CONTROL PANEL	
Supply to accessories	24V ~ (180 mA) 24Vsafe (180mA max)
Torque limiter setting	on closing and opening
Incorporated rolling-code radio receiver	frequency 433.92 MHz
Coding	rolling-code algorithm
No. combinations	4 milliard
Max no. radio controls to be memorised	10
Slow-down distance	Closing/ opening: ~24 cm
Fuses	see Fig. F

(*) Available in all mains voltages.

3) TUBE ARRANGEMENT Fig.A

Install the electrical system referring to the standards in force for electrical systems CEI 64-8, IEC 364, harmonization document HD 384 and other national standards.

4) ACTUATOR INSTALLATION

4.1) Assembly FITTING

- 1) Remove the existing locking bolt from the cremone bolt of the door.
- 2) In order to fix the track correctly, mark the mid-point of the door, position the BIN on the ceiling and mark the holes.
- 3) Drill the ceiling with a 10-dia. drill bit following the previously made marks, and insert the Fischer plugs.
- 4) Secure the track at the base, fig.E.
- 5) With the help of an adequate support, lift the entire motor, screw the screws onto the track-holding bracket without fixing them to the door frame (Fig.M) or, if the height allows it, fit the bracket to the masonry lintel by means of plugs.
- 6) Lift the motor-driven head until everything rests against the ceiling, and insert the fixing screws which lock the track (including the anchoring bracket screws).
- 7) In the event the motor head and track are not fastened directly to the ceiling, check that the surface they are attached to is level and that the track runs straight.
- 8) For fixing to the ceiling and in case the track is not fixed directly to the ceiling, see Fig.N.
- 9) In the case where the track is made in two halves, see Fig.R; for the different types of fixing methods, see the previous figures.
- 10) Release the carriage and fix the anchoring brackets to the door panel (Fig.O). The distance allowed between track and sectional door is 108 to 166 mm (Fig.O1).

4) CHAIN TIGHTENER ADJUSTMENT

The operator supplied is already calibrated and inspected. Should the chain tension need to be adjusted, proceed as shown in fig.R 4-5.

WARNING: Should it be necessary to reduce the track length and consequent trolley run, cut the chain using a specific chain removing device.

In re-assembling the cut chain, take care to ensure that the **REFERENCE CAM IS POSITIONED TOWARDS THE OUTSIDE (SEE FIG. G Ref. 4a) AND THAT DURING MANOEUVRE, THE CAM INTERCEPTS THE MICRO-SWITCH AT THE BASE OF THE MOTOR.**

5) MANUAL RELEASE (See USER GUIDE -FIG.3-).

5.1) IN ORDER TO ENSURE THE DOOR WILL CLOSE, THE RUNNER MUST BE ENGAGED WITH THE HOLES (FIG.D)

5.2) REMPLACEMENT DE L'AMPOULE (FIG.3)

6) ELECTRICAL INSTALLATION SET-UP (Fig.A)

- M)** Actuator
Ft) Transmitter photocell
Fr) Receiver photocells
T) 1-2-4 channel transmitter.

Arrange for the connection of accessories and safety and control devices to reach the motor unit, keeping the mains voltage connections clearly separate from the extra low safety voltage connections (24 V), using the specific window (fig. E1). Proceed to connection following the indications given in the wiring diagram. The cables for connecting the accessories must be protected by a raceway.

7) TERMINAL BOARD CONNECTIONS Fig.F

TERMINAL	DESCRIPTION
JP6	transformer wiring
JP10, JP11	motor wiring
JP12	Encoder
JP13	Micro switch
1-2	Antenna input for integrated radio-receiver board (1: BRAID. 2: SIGNAL)
3-4	START input (N.O.)
3-5	STOP input (N.C.) If not used, leave the jumper inserted.
3-6	PHOTOCELL input (N.C.) If not used, leave the jumper inserted.
3-7	FAULT input (N.O.) Input for photocells provided with checking N.O. contact
8-9	24 V~ output for blinking light (25 W max)
10-11	24V~ 180mA max output – power supply for photocells or other devices
12-13	24V~ Vsafe 180mA max output – power supply for checking photocell transmitters.



7.1) LED (Fig.F)

	LED	Description
DL1	RADIO	Incorporated radio-receiver led
DL2	SET	Limit device setting led - power ON

7.2) SELEZIONE DIP-SWITCH (Fig.F)

	DIP-SWITCH	Description
DIP1	IBL Locks impulses	ON: During the opening phase, does not accept START commands.
		OFF: During the opening phase, accepts START commands.
DIP2	TEST PHOT	ON: Enables photocell checking (5-connector photocells must be used - see Fig.F1).
		OFF: Disables photocell checking.

7.3) TRIMMER SETTING (Fig.F)

	Parameter			Description
T1	TCA	3s	120s	Sets the automatic closing time, after which the gate closes automatically. If the trimmer is turned all the way, the TCA is disabled.
T2	OPENING TORQUE	0%	99%	Sets the ampere-stop sensitivity on opening.
T3	CLOSING TORQUE	0%	99%	Sets the ampere-stop sensitivity on closing.

NOTE: In case of obstacle detection, the Ampere-stop function halts the leaf movement, reverses the motion for 1 sec. and stays in the STOP state.

⚠ Incorrect sensitivity setting can cause injuries to persons or animals, or damage to things.

7.4) BUTTONS

	DESCRIPTION
UP	limit device setting and opening command. An autosest operation of the torque will be performed by keeping this button pressed for 5 seconds
DOWN	limit device setting and closing command
OK	radio programming

7.5) COURTESY LIGHT

COURTESY LIGHT	DESCRIPTION	NOTES
ON time starting from last operation	90s	
Thermal overload warning	3 flashes at start of operation	Allow automated device to cool
Microswitch malfunction warning	3 flashes at end of operation	Check Microswitch connection

8) LIMIT DEVICE SETTING (Fig.G)

- 1) Simultaneously press the "UP" and "DOWN" keys for 5 seconds. The "SET" led blinks to indicate that the limit device setting is activated.
- 2) Bring the leaf to the required closing position, using the "UP" and "DOWN" buttons on the control unit, and keeping in mind that the "DOWN" button closes the leaf, while the "UP" button opens the leaf.
- 3) As soon as the leaf reaches the required closing position, press the "OK" button in order to memorise the limit device closing position. The "SET" led confirms data storage by blinking for 1 second.
- 4) Bring the leaf to the required opening position, using the "UP" and "DOWN" buttons on the control unit, and keeping in mind that the "DOWN" button closes the leaf, while the "UP" button opens the leaf.

WARNING: in the event the track, and hence carriage travel, needs to be shortened, cut the chain with a suitable chain link extractor.

When refitting the cut chain, make sure that the REFERENCE CAM IS POSITIONED ON THE OUTSIDE (SEE FIG. G Ref. 4a) AND THAT WHEN THE DEVICE IS OPERATED, THE CAM ENGAGES THE MICROSWITCH LOCATED UNDER THE BASE OF THE MOTOR.

- 5) As soon as the leaf reaches the required opening position, press the "OK" button in order to memorise the limit device opening position. The "SET" led confirms data storage by blinking for 1 second and then lits up again.

NOTE 1: These manoeuvres are carried out in "hold-to-run" mode at reduced speed and with no safety devices activated.

NOTE 2: In case of errors, the "SET" led remains off on for 5 seconds.

9) OPENING / CLOSING TORQUE AUTOSETTING (Fig.H)

- 1) After reaching the closing end-of-stroke position, press the "UP" button for 5 seconds.
- 2) The "SET" led blinks rapidly and the leaf starts to open until it reaches the opening end-of-stroke.
- 3) 3 second down time.
- 4) The "SET" led blinks rapidly and the leaf starts to close until it reaches the closing end-of-stroke.
- 5) After completing the autosest adjust the opening/closing torque trimmers so as to obtain the desired sensitivity to the obstacle.

Any input activation (START, RADIO TRANSMITTER, STOP, PHOTOCCELL) during autosesting will annul the autosest in progress.

10) INTEGRATED RECEIVER

Transmitter versions which can be used:
all Rolling Code transmitters .

10.1) MANUAL TRANSMITTER PROGRAMMING (Fig.I)

- 1) Press the "OK" button on the control unit.
- 2) When the "RADIO" LED blinks, press the transmitter hidden key, and the "RADIO" LED will stay on permanently.
- 3) Press the key to be memorised on the transmitter, LED "RADIO" will start blinking again.
- 4) To memorise another transmitter, repeat steps 2) and 3).
- 5) To exit the storage mode, wait until the LED is switched off completely.

10.2) REMOTE TRANSMITTER PROGRAMMING (Fig.I)

- 1) Press the hidden key of a transmitter that has been already memorised in standard mode by means of manual programming.
- 2) Press the normal key (T1-T2-T3-T4) of a transmitter that has been already

memorised in standard mode by means of manual programming.

- 3) The courtesy lamp blinks. Press the hidden key of a transmitter to be memorised within 10s.
- 4) The courtesy lamp stays on permanently. Press the normal key (T1-T2-T3-T4) of a transmitter to be memorised.

The receiver exits the programming mode within 10s., within this time new additional transmitters can be memorised.

This mode does not require access to the control panel.

10.3) TRANSMITTER CANCELLATION (Fig.I)

To cancel the control unit memory totally, press the "OK" button on the control unit for 10 seconds ("RADIO" LED blinking). Correct memory cancellation will be indicated by the "RADIO" LED staying on permanently. To exit the storage mode, wait until the LED is switched off completely.

11) AUTOMATION CHECK

⚠ Before the automation device finally becomes operational, scrupulously check the following conditions:

- Check that the door (antisquash) thrust is comprised within the limits set out by the current standards, and anyway not too strong for the installation and operating conditions.
- Check that the spring is not pressed all the way down during operation.
- Check the manual opening control operation.
- Check the opening and closing operations using the control devices fitted.
- Check the normal and customised operation electronic logics.

12) AUTOMATION CONTROL

The use of this control device allows the gate to be opened and closed automatically. There are different types of controls (manual, radio control, magnetic card access etc.) depending on the installation requirements and characteristics. For the various control systems, see the relevant instructions. The automation device users must be instructed on control and operation.

13) FUSE CHANGE Fig. L

14) PULLING ARM ASSEMBLY AND ACTUATOR DIMENSIONS (FIG.P)

15) ACCESSORIES

SET/S External release device with retracting handle for sectional doors measuring max 50mm (Fig.Q).

15) MAINTENANCE

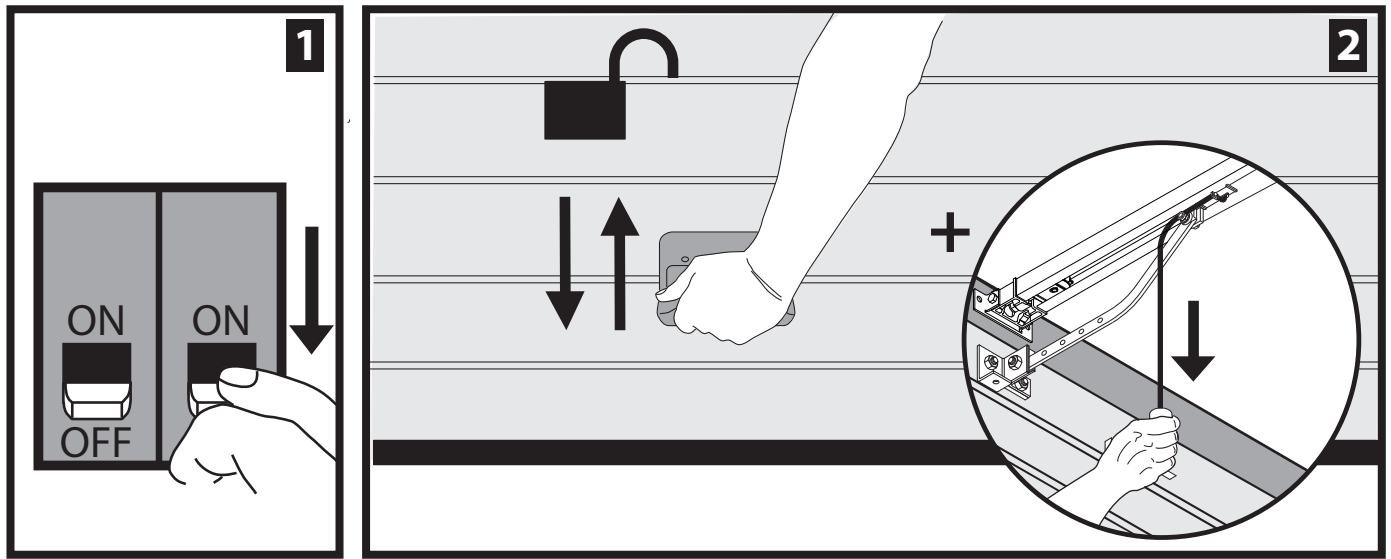
Before carrying out any maintenance operation, disconnect the system power supply.

- Periodically check the tension of the chain/belt (twice a year).
- Occasionally clean the photocell optical elements, if installed.
- Have a qualified technician (installer) check the correct setting of the electronic clutch.
- When any operational malfunction is found, and not resolved, disconnect the system power supply and request the assistance of a qualified technician (installer). When the product is out of service, activate the manual release device to allow the door to be opened and closed manually.

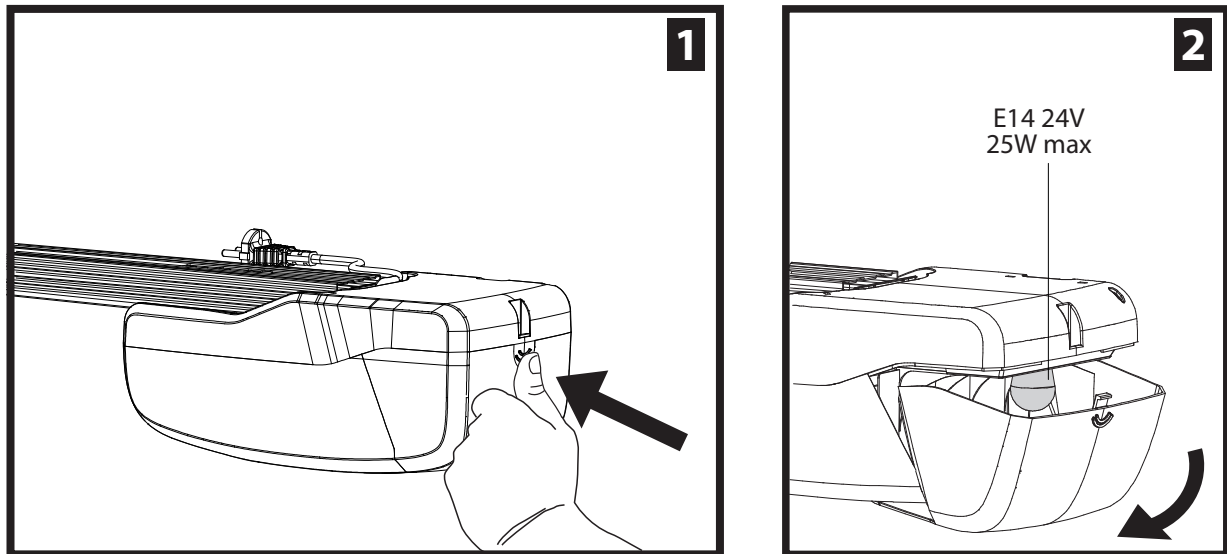
⚠ If the power supply cable is damaged, it must be replaced directly by our company or our technical service department or by a technician having similar qualification so as to avoid any risks.

FIG. 2

MANUALE D'USO: MANOVRA MANUALE - USER'S MANUAL: MANUAL OPERATION -
 MANUEL D'UTILISATION: MANŒUVRE MANUELLE - BEDIENUNGSANLEITUNG: MANUELLES MANÖVER-
 MANUAL DE USO: ACCIONAMIENTO MANUAL - GEBRUIKSHANDLEIDING: MANUEEL MANOEUVRE

**FIG. 3**

SOSTITUZIONE LAMPADINA / REPLACING THE LIGHT BULB / REMPLACEMENT D'UNE LAMPE
 ERSETZUNG DER GLÜHBIRNE / SUSTITUCIÓN DE LA LÁMPARA / LAMPJE VERVERGEN



AVVERTENZE PER L'UTILIZZATORE (I)

ATTENZIONE! Importanti istruzioni di sicurezza. Leggere e seguire attentamente le Avvertenze e le Istruzioni che accompagnano il prodotto poiché un uso improprio può causare danni a persone, animali o cose. Conservare le istruzioni per consultazioni future e trasmetterle ad eventuali subentranti nell'uso dell'impianto. Questo prodotto dovrà essere destinato solo all'uso per il quale è stato espressamente installato. Ogni altro uso è da considerarsi improprio e quindi pericoloso. Il costruttore non può essere considerato responsabile per eventuali danni causati da usi impropri, erronei e irragionevoli.

SECURITE GENERALE

Nel ringraziarVi per la preferenza accordata a questo prodotto, la Ditta è certa che da esso otterrete le prestazioni necessarie al Vostro uso.

Questo prodotto risponde alle norme riconosciute della tecnica e della disposizioni relative alla sicurezza se correttamente installato da personale qualificato ed esperto (installatore professionale).

L'automazione, se installata ed utilizzata correttamente, soddisfa gli standard di sicurezza nell'uso. Tuttavia è opportuno osservare alcune regole di comportamento per evitare inconvenienti accidentali:

- Tenere bambini, persone e cose fuori dal raggio d'azione dell'automazione, in particolare durante il movimento.
- Non permettere a bambini di giocare o sostare nel raggio di azione dell'automazione.
- Questa automazione non è destinata all'uso da parte di bambini o da parte di persone con ridotte capacità mentali, fisiche e sensoriali, o persone che mancano di conoscenze adeguate a meno che esse non abbiano potuto beneficiare, attraverso l'intermediazione di una persona responsabile della loro sicurezza, di una sorveglianza o di istruzioni riguardanti l'uso dell'apparecchio.
- I bambini devono essere sorvegliati per sincerarsi che non giochino con l'apparecchio. Non permettere ai bambini di giocare con i controlli fissi. Tenere i telecomandi lontani dai bambini.
- Evitare di operare in prossimità delle cerniere o organi meccanici in movimento.
- Non contrastare il movimento dell'anta e non tentare di aprire manualmente la porta se non è stato sbloccato l'attuatore con l'apposita manopola di sblocco.
- Non entrare nel raggio di azione della porta o cancello motorizzati durante il loro movimento.
- Non lasciare radiocomandi o altri dispositivi di comando alla portata dei bambini onde evitare azionamenti involontari.
- L'attivazione dello sblocco manuale potrebbe causare movimenti incontrollati della porta se in presenza di guasti meccanici o di condizioni di squilibrio.
- In caso di apertapparelle: sorvegliare la tapparella in movimento e tenere lontano le persone finché non è completamente chiusa. Porre cura quando si aziona lo sblocco se presente, poiché una tapparella aperta potrebbe cadere rapidamente in presenza di usura o rotture.
- La rottura o l'usura di organi meccanici della porta (parte guidata), quali ad esempio cavi, molle, supporti, cardini, guide... potrebbe generare pericoli. Far controllare periodicamente l'impianto da personale qualificato ed esperto (installatore professionale) secondo quanto indicato dall'installatore o dal costruttore della porta.
- Per ogni operazione di pulizia esterna, togliere l'alimentazione di rete.
- Tenere pulite le ottiche delle fotocellule ed i dispositivi di segnalazione luminosa. Controllare che rami ed arbusti non disturbino i dispositivi di sicurezza.
- Non utilizzare l'automatismo se necessita di interventi di riparazione. In caso di guasto o di malfunzionamento dell'automazione, togliere l'alimentazione di rete sull'automazione, astenersi da qualsiasi tentativo di riparazione o intervento diretto e rivolgersi solo a personale qualificato ed esperto (installatore professionale) per la necessaria riparazione o manutenzione. Per consentire l'accesso, attivare lo sblocco di emergenza (se presente).
- Per qualsiasi intervento diretto sull'automazione o sull'impianto non previsto dal presente manuale, avvalersi di personale qualificato ed esperto (installatore professionale).
- Con frequenza almeno annuale far verificare l'integrità e il corretto funzionamento dell'automazione da personale qualificato ed esperto (installatore professionale), in particolare di tutti i dispositivi di sicurezza.
- Gli interventi d'installazione, manutenzione e riparazione devono essere documentati e la relativa documentazione tenuta a disposizione dell'utilizzatore.
- Il mancato rispetto di quanto sopra può creare situazioni di pericolo.

Tutto quello che non è espressamente previsto nel manuale d'uso, non è permesso. Il buon funzionamento dell'operatore è garantito solo se vengono rispettate le prescrizioni riportate in questo manuale. La Ditta non risponde dei danni causati dall'inosservanza delle indicazioni riportate in questo manuale.

Lasciando inalterate le caratteristiche essenziali del prodotto, la Ditta si riserva di apportare in qualunque momento le modifiche che essa ritiene convenienti per migliorare tecnicamente, costruttivamente e commercialmente il prodotto, senza impegnarsi ad aggiornare la presente pubblicazione.

USER WARNINGS (GB)

WARNING! Important safety instructions. Carefully read and comply with the Warnings and Instructions that come with the product as improper use can cause injury to people and animals and damage to property. Keep the instructions for future reference and hand them on to any new users.

This product is meant to be used only for the purpose for which it was explicitly installed. Any other use constitutes improper use and, consequently, is hazardous. The manufacturer cannot be held liable for any damage as a result of improper, incorrect or unreasonable use.

GENERAL SAFETY

Thank you for choosing this product. The Firm is confident that its performance will meet your operating needs.

This product meets recognized technical standards and complies with safety provisions when installed correctly by qualified, expert personnel (professional installer).

If installed and used correctly, the automated system will meet operating safety standards. Nonetheless, it is advisable to observe certain rules of behaviour so that accidental problems can be avoided:

- Keep adults, children and property out of range of the automated system, especially while it is moving.
- Do not allow children to play or stand within range of the automated system.
- This automated system is not meant for use by children or by people with impaired mental, physical or sensory capacities, or people who do not have suitable knowledge, unless a person who is responsible for their safety provides them with necessary supervision or instructions on how to use the device.
- Children must be supervised to ensure they do not play with the device. Do not allow children to play with the fixed controls. Keep remote controls out of reach of children.
- Do not work near hinges or moving mechanical parts.
- Do not hinder the leaf's movement and do not attempt to open the door manually unless the actuator has been released with the relevant release knob.
- Keep out of range of the motorized door or gate while they are moving.
- Keep remote controls or other control devices out of reach of children in order to avoid the automated system being operated inadvertently.
- The manual release's activation could result in uncontrolled door movements if there are mechanical faults or loss of balance.
- When using roller shutter openers: keep an eye on the roller shutter while it is moving and keep people away until it has closed completely. Exercise care when activating the release, if such a device is fitted, as an open shutter could drop quickly in the event of wear or breakage.
- The breakage or wear of any mechanical parts of the door (operated part), such as cables, springs, supports, hinges, guides..., may generate a hazard. Have the system checked by qualified, expert

personnel (professional installer) at regular intervals according to the instructions issued by the installer or manufacturer of the door.

- When cleaning the outside, always cut off mains power.
- Keep the photocells' optics and illuminating indicator devices clean. Check that no branches or shrubs interfere with the safety devices.
- Do not use the automated system if it is in need of repair. In the event the automated system breaks down or malfunctions, cut off mains power to the system; do not attempt to repair or perform any other work to rectify the fault yourself and instead call in qualified, expert personnel (professional installer) to perform the necessary repairs or maintenance. To allow access, activate the emergency release (where fitted).
- If any part of the automated system requires direct work of any kind that is not contemplated herein, employ the services of qualified, expert personnel (professional installer).
- At least once a year, have the automated system, and especially all safety devices, checked by qualified, expert personnel (professional installer) to make sure that it is undamaged and working properly.
- A record must be made of any installation, maintenance and repair work and the relevant documentation kept and made available to the user on request.
- Failure to comply with the above may result in hazardous situations.

Anything that is not explicitly provided for in the user guide is not allowed. The operator's proper operation can only be guaranteed if the instructions given herein are complied with. The Firm shall not be answerable for damage caused by failure to comply with the instructions featured herein.

While we will not alter the product's essential features, the Firm reserves the right, at any time, to make those changes deemed opportune to improve the product from a technical, design or commercial point of view, and will not be required to update this publication accordingly.

AVERTISSEMENTS POUR L'UTILISATEUR (F)

ATTENTION ! Instructions de sécurité importantes. Veuillez lire et suivre attentivement tous les avertissements et toutes les instructions fournis avec le produit sachant qu'un usage incorrect peut provoquer des préjudices aux personnes, aux animaux ou aux biens. Veuillez conserver les instructions pour d'ultérieures consultations et pour les transmettre aux propriétaires futurs éventuels.

Cet appareil ne peut être destiné qu'à l'usage pour lequel il a été expressément installé. Tout autre usage sera considéré comme impropre et donc dangereux. Le fabricant ne sera en aucun cas considéré comme responsable des préjudices dus à un usage impropre, erroné ou déraisonné.

SECURITE GENERALE

Nous vous remercions d'avoir choisi ce produit qui, nous n'en doutons pas, saura vous garantir les performances attendues.

Ce produit, correctement installé par du personnel qualifié et expérimenté (monteur professionnel) est conforme aux normes reconnues de la technique et des prescriptions de sécurité.

Si l'automatisation est montée et utilisée correctement, elle garantit la sécurité d'utilisation prescrite. Il est cependant nécessaire de respecter certaines règles de comportement pour éviter tout incon vénient accidentel.

- Tenir les enfants, les personnes et les objets à l'écart du rayon d'action de l'automatisation, en particulier pendant son fonctionnement.
- Empêcher les enfants de jouer ou de stationner dans le rayon d'action de l'automatisation.
- Cette automatisation n'est pas destinée à être utilisée par des enfants, des personnes ayant des capacités mentales, physiques et sensorielles réduites ou des personnes ne disposant pas des connaissances nécessaires à moins de disposer, par l'entremise d'une personne responsable de leur sécurité, d'une surveillance ou d'instructions sur l'usage de l'appareil.
- Les enfants doivent être surveillés afin de s'assurer qu'ils ne jouent pas avec l'appareil. Interdire aux enfants de jouer avec les contrôles fixes. Ranger les télécommandes hors de portée des enfants.
- Eviter d'opérer à proximité des charnières ou des organes mécaniques en mouvement.
- Ne pas s'opposer volontairement au mouvement du vantail et ne pas tenter d'ouvrir la porte à la main si le déclencheur n'est pas déverrouillé avec le levier de déverrouillage prévu à cet effet.
- Ne pas entrer dans le rayon d'action du portail/de la porte motorisé/e pendant son mouvement.
- Ranger les radiocommandes ou les autres dispositifs de commande hors de portée des enfants afin d'éviter tout actionnement involontaire.
- L'activation du déverrouillage manuel risque de provoquer des mouvements incontrôlés de la porte en présence de pannes mécaniques ou de conditions de déséquilibre.
- Avec les ouvre-stores: surveiller le store en mouvement et veiller à ce que les personnes restent à l'écart tant qu'il n'est pas complètement fermé. Actionner l'éventuel déverrouillage avec prudence car si un store reste ouvert il peut tomber brutalement s'il est usé ou cassé.
- La rupture ou l'usure des organes mécaniques de la porte (partie guidée), tels que les câbles, les ressorts, les supports et les gonds peuvent générer des risques. Faire contrôler périodiquement l'installation par du personnel qualifié et expérimenté (monteur professionnel), conformément aux indications du monteur ou du fabricant de la porte.
- Mettre hors tension avant d'accomplir les opérations de nettoyage extérieur.
- Veiller à la propreté des lentilles des photocellules et des lampes de signalisation. Veiller à ce que les dispositifs de sécurité ne soient pas gênés par des branches ou des arbustes.
- Ne pas utiliser l'automatisation si elle a besoin d'être réparée. En cas de panne ou de mauvais fonctionnement de l'automatisation, mettre l'automatisation hors tension, éviter toute tentative de réparation ou d'intervention directe et s'adresser uniquement à du personnel qualifié et expérimenté (monteur professionnel) pour la réparation ou les opérations d'entretien nécessaires. Pour permettre l'accès, activer le déverrouillage d'urgence (s'il y en a un).
- Pour toutes les interventions directes sur l'automatisation ou sur l'installation non prévues dans le présent manuel, s'adresser uniquement à du personnel qualifié et expérimenté (monteur professionnel).
- Une fois par an au moins, faire vérifier le bon état et le bon fonctionnement de l'automatisation par du personnel qualifié et expérimenté (monteur professionnel) et en particulier tous les dispositifs de sécurité.
- Les interventions de montage, d'entretien et de réparation doivent être documentées et cette documentation doit être tenue à la disposition de l'utilisateur.
- Le non respect des prescriptions ci-dessus peut être à l'origine de dangers.

Tout ce qui n'est pas expressément prévu dans le manuel de montage est interdit. Le bon fonctionnement de l'appareil n'est garanti que si les données indiquées sont respectées. Le Fabricant ne répond pas des dommages provoqués par l'inobservation des indications données dans ce manuel.

En laissant inaltérées les caractéristiques essentielles de l'appareil, l'entreprise se réserve le droit d'apporter à tout moment les modifications qu'elle jugera opportunes pour améliorer le produit du point de vue technique, commercial et de sa construction, sans s'engager à mettre à jour la présente publication.

HINWEISE FÜR DEN BENUTZER (D)

ACHTUNG! Wichtige Hinweise zur Sicherheit. Bitte lesen und befolgen Sie aufmerksam die Hinweise sowie die Bedienungsanleitung, die das Produkt begleiten, denn eine falsche Benutzung des Produkts kann zu Verletzungen von Menschen und Tieren sowie zu Sachschäden führen. Bitte bewahren Sie die Anweisungen für die zukünftige Konsultation sowie für eventuelle zukünftige Benutzer der Anlage auf.

Dieses Produkt ist ausschließlich für den Einsatz bestimmt, für den es ausdrücklich installiert worden ist. Alle sonstigen Einsatzweisen gelten als Zweckentfremdung und somit als

BFT S.P.A.

Via Lago di Vico 44, 36015 Schio (Vi) - **Italy**
tel. +39 0445 69 65 11 / fax. +39 0445 69 65 22
www.bft.it / e-mail: info@bft.it

AUTOMATISMES BFT FRANCE

13 Bd. E. Michelet, 69008 Lyon - **France**
tel. +33 (0)4 78 76 09 88 - fax +33 (0)4 78 76 92 23
e-mail: contacts@automatismes-bft-france.fr

**BFT Torantriebssysteme GmbH**

Faber-Castell-Straße 29
D - 90522 Oberasbach - **Germany**
tel. +49 (0)911 766 00 90 - fax +49 (0)911 766 00 99
e-mail: service@bft-torantriebe.de

BFT Automation UK Ltd

Unit 8E, Newby Road
Industrial Estate Hazel Grove, Stockport,
Cheshire, SK7 5DA - **UK**
tel. +44 (0) 161 4560456 - fax +44 (0) 161 4569090
e-mail: info@bftautomation.co.uk

BFT BENELUX SA

Parc Industriel 1, Rue du commerce 12
1400 Nivelles - **Belgium**
tel. +32 (0)67 55 02 00 - fax +32 (0)67 55 02 01
e-mail: info@bftbenelux.be

BFT-ADRIA d.o.o.

Obrovac 39
51218 Dražice (Rijeka)
Hrvatska - **Croatia**
tel. +385 (0)51 502 640 - fax +385 (0)51 502 644
e-mail: info@bft.hr

BFT Polska Sp. z o.o.

Unit 8E, Newby Road
ul. Lipowa 21
05-091 Ząbki, **Polska**
tel. +48 22 814 12 22 - fax. +48 22 781 60 22
e-mail: biuro@bft.com.pl

BFT USA BFT U.S., Inc.

6100 Broken Sound Pkwy. N.W., Suite 14
Boca Raton, FL 33487 - **U.S.A.**
T: +1 561.995.8155 - F: +1 561.995.8160
TOLL FREE 1.877.995.8155 - info.bft@bft-usa.com

BFT GROUP ITALIBERICA DE AUTOMATISMOS S.L.

Pol. Palou Nord,
Sector F - C/Cami - Can Basa nº 6-8 08401 Granollers -
(Barcelona) - Spain
tel. +34 938 61 48 28 - fax +34 938 70 03 94
e-mail: bftbcn@bftautomatismos.com

Pl. Comendador - C/
informática, Nave 22 - 19200 Azuqueca de Henares
(Guadalajara) - Spain
tel. +34 949 26 32 00 - fax +34 949 26 24 51
e-mail: administracion@bftautomatismos.com

BFT SA-COMERCIO DE AUTOMATISMOS E MATERIAL DE SEGURANÇA
Urbanizaçao da Pedrulha Lote 9 - Apartado 8123,
3020-305 COIMBRA - **PORTUGAL**
tel. +351 239 082 790 - fax +351 239 082 799
e-mail: geral@bftportugal.com